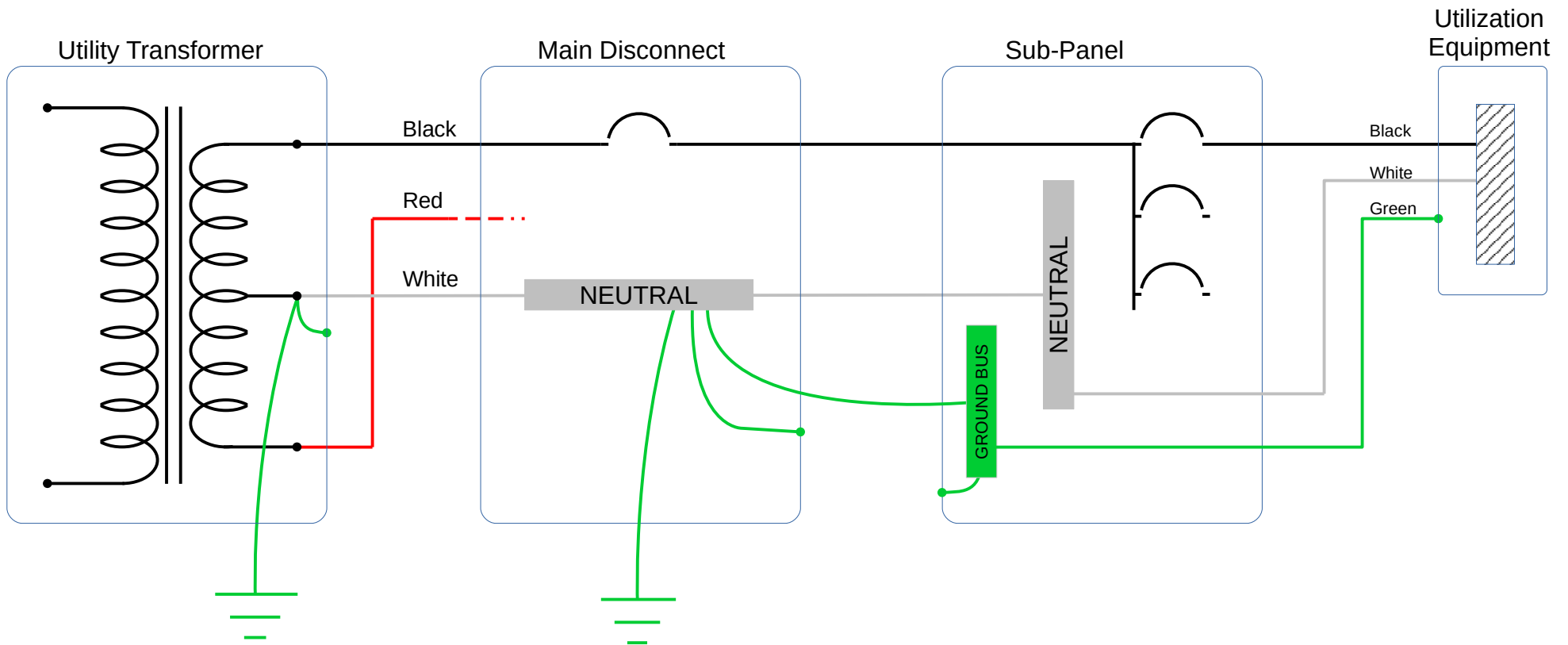
 Mind-Mapping the NEC® - Starting Template for Code Talk Podcast Episode 6





Chapter 2 Wiring and Protection

200 Use and Identification of Grounded Conductors

210 Branch Circuits

215 Feeders

220 Branch-Circuit, Feeder, and Service Load Calculations

225 Outside Branch Circuits and Feeders

230 Services

240 Overcurrent Protection

250 Grounding and Bonding

280 Surge Arresters, Over 1000 Volts*

285 Surge-Protective Devices (SPDs), 1000 Volts or Less*

*2017 NEC®

Key Definitions:

- Service
- Feeder
- Branch Circuit
- Outlet
- Utilization Equipment
- Grounded Conductor
- Grounding Electrode Conductor
- Equipment Grounding Conductor
- Demand Factor
- Continuous Load

Some Key References:

- 240.4(B) & (D)
- 240.6
- T250.66
- T250.102(C)(1)
- T250.122

